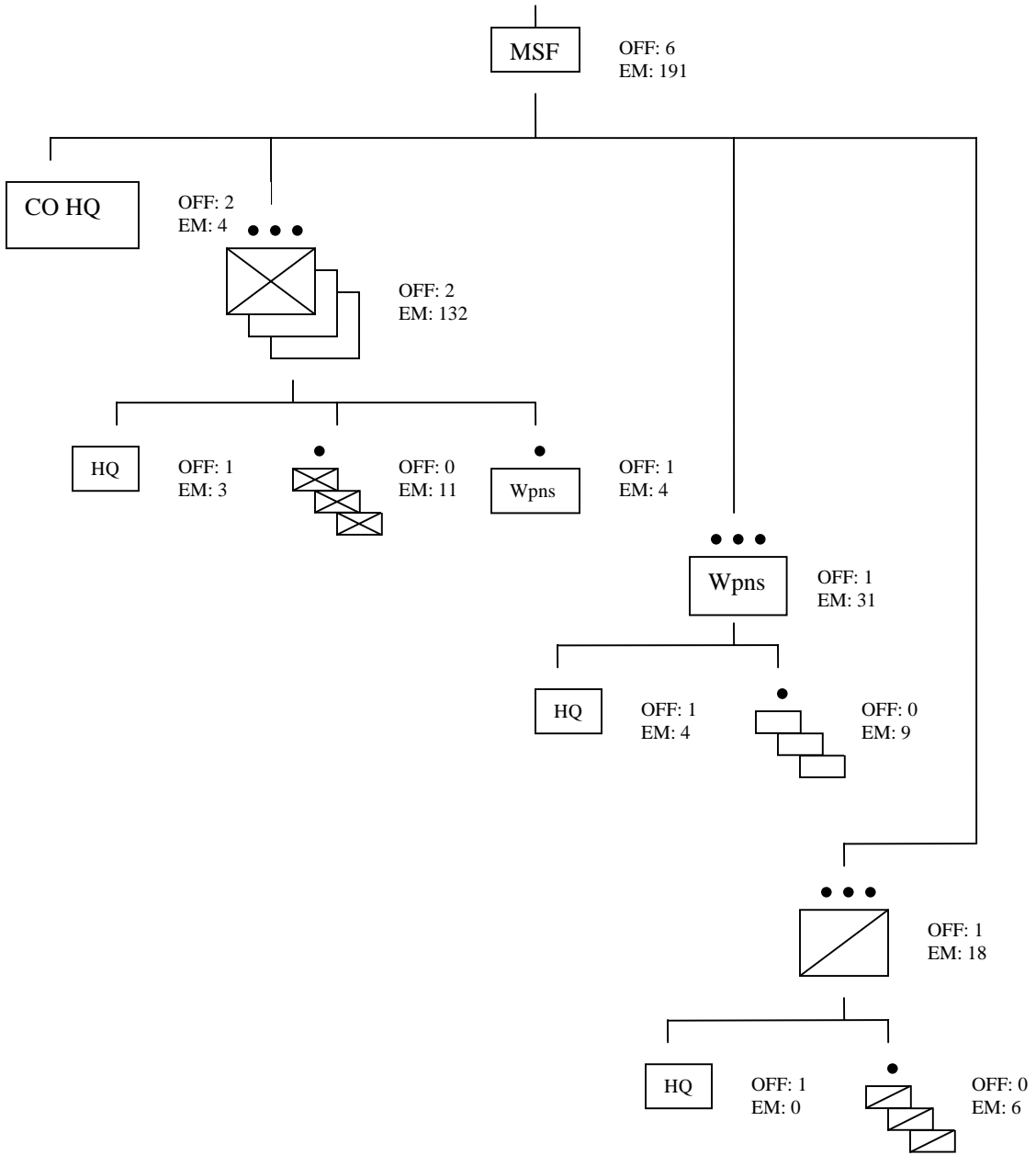


CIDG MIKE Force Company, TOE 2-66 (2 January 1966)

Source: Rottman, Gordon. Mobile Strike Forces in Vietnam 1960-70. Oxford, UK: Osprey Publishing, 2007.



#	Weapons	#	Equipment
179	M2 Carbine	2	AN/PRC-10 Radio
18	M1918A2 BAR		
6	M1919A6 MG		
3	M79 Grenade Launcher		
10	M8 Grenade Launcher		

1	3.5" M20A1B1 rocket launcher		
3	60mm M19 Mortar		
18	M1911A1 Pistol		

Company HQ			
Company CO, Lieutenant		M2 Carbine	
Executive Officer, Lieutenant		M2 Carbine	
Company Medic, Sergeant		M2 Carbine	
Radio Operator, Corporal (x2)		M2 Carbine, AN/PRC-10 Radio	
Rifle Grenadier, Private, First Class		M2 Carbine w/ M8 Grenade Launcher	

Rifle Platoon HQ (x3)			
Platoon Leader, Lieutenant		M2 Carbine	
Platoon Sergeant, Master Sergeant		M2 Carbine	
Radio Operator, Corporal		M2 Carbine	
Platoon Medic, Corporal		M2 Carbine	

Rifle Squad (x9)			
Squad Leader, Sergeant		M2 Carbine	
Assistant Squad Leader, Sergeant		M2 Carbine w/ M8 Grenade Launcher	
Automatic Rifleman, Corporal (x2)		M1918A2 BAR, M1911A1 Pistol	
Rifleman, Corporal (x2)		M2 Carbine	
Rifleman, Private First Class (x2)		M2 Carbine	
Rifleman, Private (x3)		M2 Carbine	

Weapons Squad (Rifle Platoon) (x3)			
Squad Leader, Sergeant		M2 Carbine	
Gunner, LMG, Corporal (x2)		M1919A6 MG	
Assistant Gunner, Corporal (x2)		M2 Carbine	
Ammunition Bearer, Private First Class (x4)		M2 Carbine	
Grenadier		M79 Grenade Launcher	

Weapons Platoon HQ			
Platoon Leader, Lieutenant		M2 Carbine	
Radio Operator, Corporal		M2 Carbine	
Platoon Medic, Corporal		M2 Carbine	
Gunner, 3.5", Private First Class		3.5" M20A1B1 rocket launcher	
Assistant Gunner, Private		M2 Carbine	

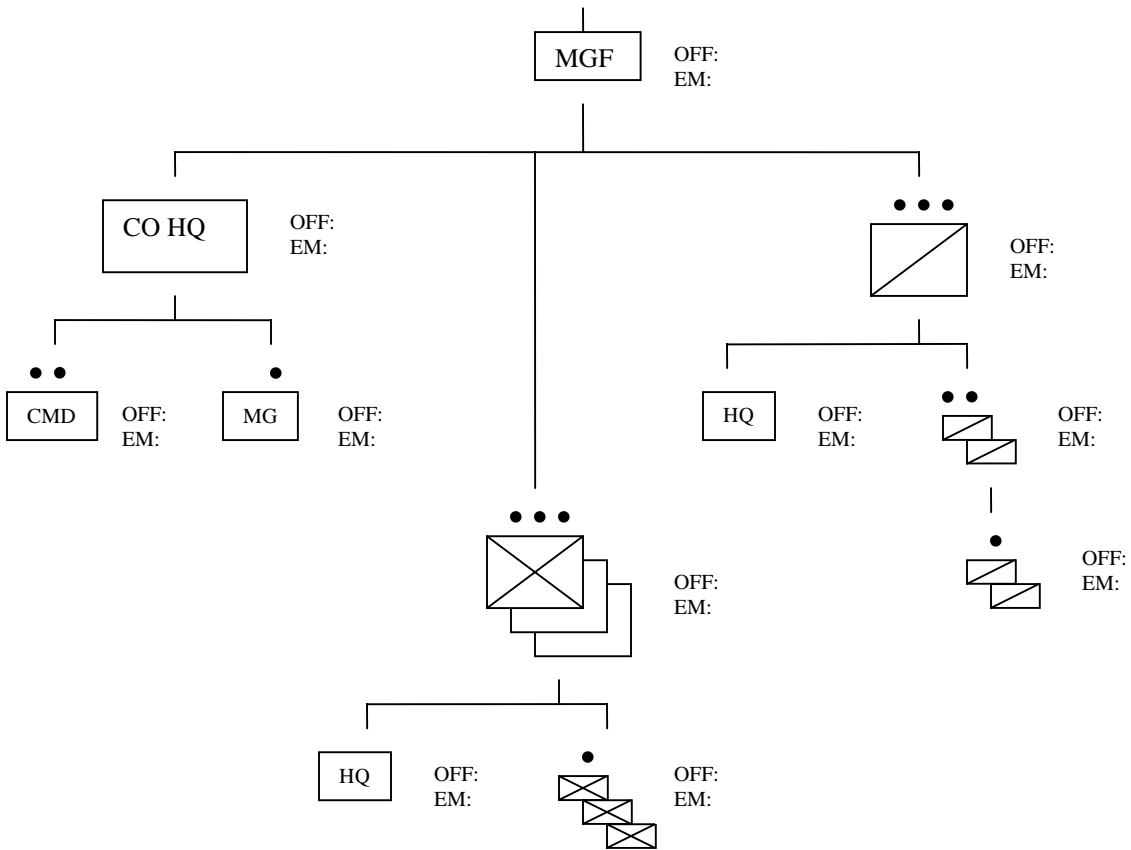
Weapons Squad (Weapons Platoon) (x3)			
Squad Leader (Gunner), Sergeant		60mm M19 Mortar, M2 Carbine	
Assistant Gunner, Sergeant		M2 Carbine	
Ammunition Preparer, Corporal		M2 Carbine	
Ammunition Bearer, Private (x6)		M2 Carbine	

Reconnaissance Platoon HQ	
Platoon Leader, Lieutenant	M2 Carbine

Reconnaissance Squad (x3)	
Squad Leader, Sergeant	M2 Carbine
Chief Scout, Sergeant	M2 Carbine
Scout, Corporal (x3)	M2 Carbine
Rifleman, Private First Class	M2 Carbine

CIDG Mobile Guerrilla Force Company (1966)

Source: Rottman, Gordon. *Mobile Strike Forces in Vietnam 1960-70*. Oxford, UK: Osprey Publishing, 2007.



#	Weapons	#	Equipment
109	M2 Carbine	2	AN/PRC-73 Radio
14	M16A1 Rifle	1	AN/PRC-25 Radio
14	M1918A2 BAR	20	HT-1 Radio
2	M60 MG		
24	M79 Grenade Launcher		

Command Section	
Force CO, USSF	M16A1 Rifle, HT-1 Radio
Force Intelligence Specialist, USSF	M16A1 Rifle, HT-1 Radio
Force Communication Specialist, USSF	M16A1 Rifle, HT-1 Radio
Force Sergeant Major, CIDG	M2 Carbine
Force Communications Specialist, CIDG (x2)	M2 Carbine, AN/PRC-74 Radio
Force Communications Specialist, CIDG	M2 Carbine, AN/PRC-74 Radio
Radio Technician Operator, CIDG	M2 Carbine, AN/PRC-25 Radio
Force Medial Specialist, CIDG	M2 Carbine

Messenger, CIDG (x8)	M2 Carbine
Chief Interpreter, CIDG	M2 Carbine

Machine Gun Squad	
Machine Gunner, CIDG (x2)	M60 MG
Assistant Machine Gunner, CIDG (x2)	M2 Carbine
Grenadier	M79 Grenade Launcher
Radio Technician Operator	M2 Carbine, HT-1 Radio

Rifle Platoon HQ (x3)	
Platoon Leader, USSF	M16A1 Rifle, HT-1 Radio
Deputy Platoon Leader, USSF	M16A1 Rifle, HT-1 Radio
Platoon, Sergeant, CIDG	M2 Carbine
Platoon Medical Specialist, CIDG	M2 Carbine
Interpreter, CIDG (x2)	M2 Carbine

Rifle Squad (x9)	
Squad Leader, CIDG	M2 Carbine
Medical Specialist, CIDG	M2 Carbine
Grenadier, CIDG (x2)	M79 Grenade Launcher
Automatic Rifleman, CIDG	M1918A2 BAR
Rifleman, CIDG (x3)	M2 Carbine

Reconnaissance Platoon HQ	
Force XO/Platoon Leader, USSF	M16A1 Rifle, HT-1 Radio
Platoon Sergeant, CIDG	M2 Carbine
Platoon Medical Specialist, CIDG	M2 Carbine
Radio Technician Operator, CIDG	M2 Carbine, HT-1 Radio
Interpreter, CIDG (x2)	M2 Carbine
Fire Team Leader, CIDG	M2 Carbine
Grenadier, CIDG	M79 Grenade Launcher
Automatic Rifleman, CIDG	M1918A2 BAR
Rifleman, CIDG	M2 Carbine
Medical Specialist, CIDG	M2 Carbine

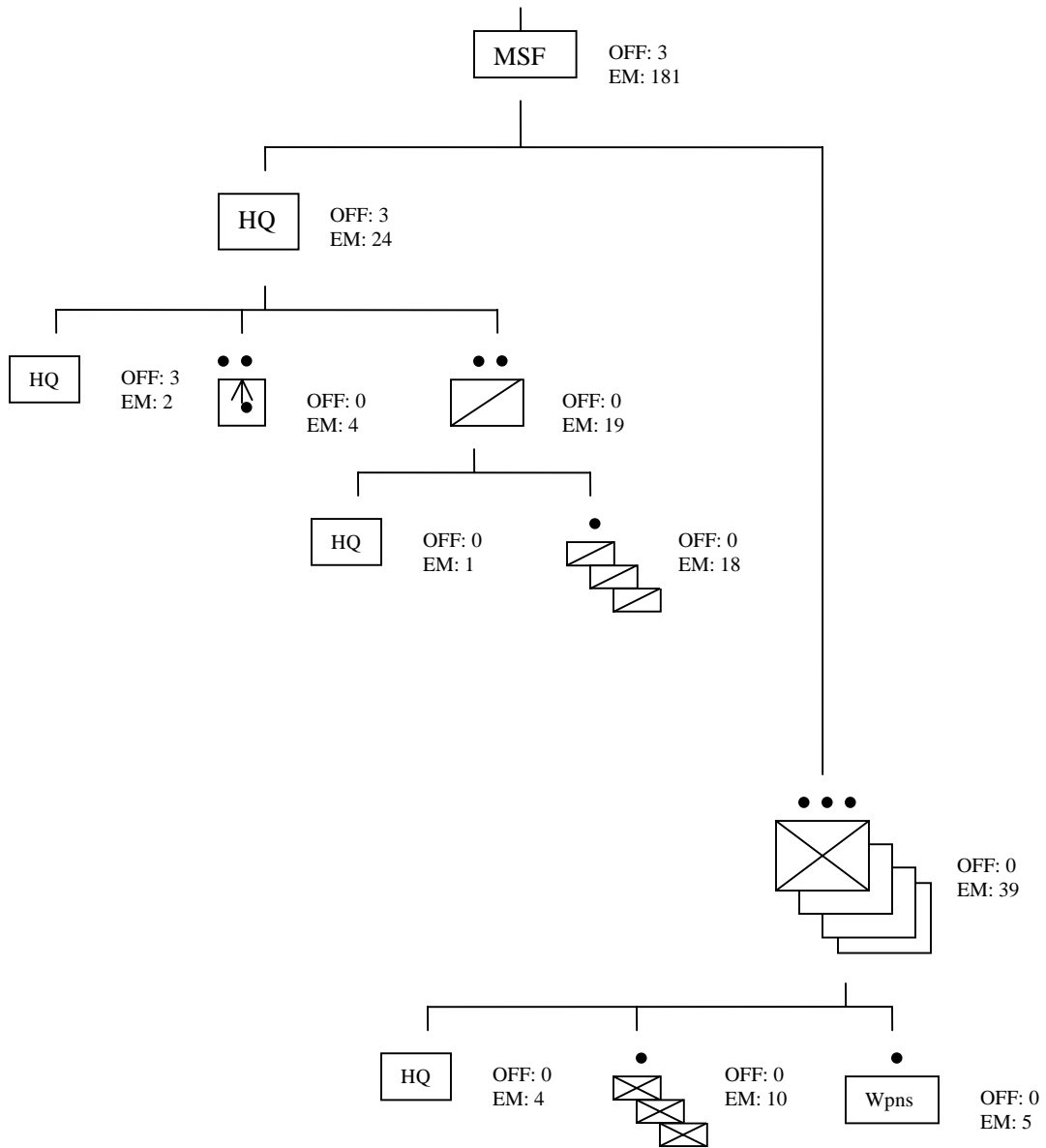
Reconnaissance Section (x2)	
Communications Specialist, USSF <i>or</i> Intelligence Specialist, USSF	M16A1 Rifle, HT-1 Radio
Demolition Specialist, USSF <i>or</i> Medical Specialist, USSF	M16A1 Rifle, HT-1 Radio

Reconnaissance Squad (x4)	
Squad Leader, CIDG	M2 Carbine

Radio Technician Operator, CIDG	M2 Carbine, HT-1 Radio
Grenadier, CIDG	M79 Grenade Launcher
Automatic Rifleman, CIDG	M1918A2 BAR
Rifleman, CIDG	M2 Carbine
Medical Specialist, CIDG	M2 Carbine

CIDG MIKE Force Company, TOE MS-1 (30 November 1968)

Source: Rottman, Gordon. *Mobile Strike Forces in Vietnam 1960-70*. Oxford, UK: Osprey Publishing, 2007.



#	Weapons	#	Equipment
160	M16A1 Rifle	5	AN/PRC-25 Radio
15	M79 Grenade Launcher		
8	M60 MG		
1	60mm M19 Mortar		
25	M1911A1 Pistol		

Company HQ	
-------------------	--

Company CO, 2 nd Lieutenant	M16A1 Rifle, M1911A1 Pistol
Company XO, Warrant Officer	M16A1 Rifle
Company Medic, Warrant Officer	M16A1 Rifle
Radio Operator, Sergeant	M16A1 Rifle, AN/PRC-25 Radio
Medic, Sergeant	M2 Carbine, AN/PRC-74 Radio

Mortar Section	
Section Leader, Master Sergeant	60mm M19 Mortar, M1911A1 Pistol
Gunner, Sergeant	M16A1 Rifle
Assistant Gunner, Corporal	M16A1 Rifle
Ammunition Bearer, Private	M16A1 Rifle

Reconnaissance Section HQ	
Section Leader, Sergeant	M16A1 Rifle

Reconnaissance Squad (x3)	
Squad Leader, Corporal	M16A1 Rifle
Scout, Corporal (x2)	M16A1 Rifle
Grenadier, Corporal	M79 Grenade Launcher, M1911A1 Pistol
Rifleman, Corporal (x2)	M16A1 Rifle

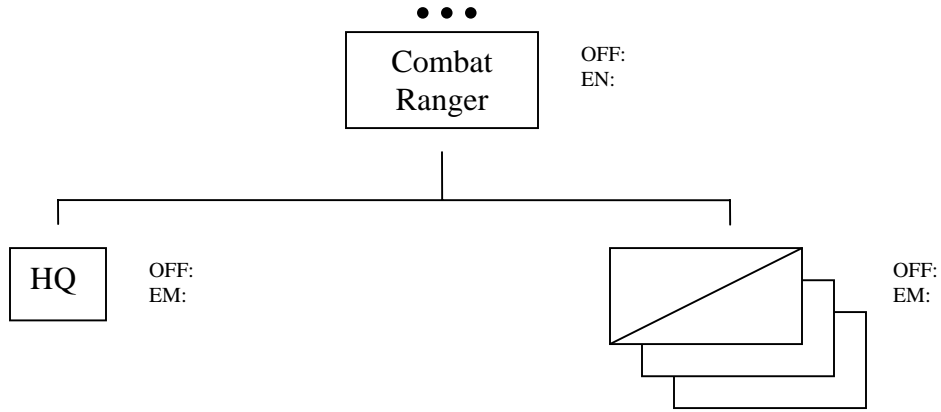
Rifle Platoon HQ (x3)	
Platoon Leader, Master Sergeant	M16A1 Rifle
Platoon Sergeant, Master Sergeant	M16A1 Rifle
Radio Operator, Corporal	M16A1 Rifle, AN/PRC-25 Radio
Platoon Medic, Corporal	M16A1 Rifle

Rifle Squad (x12)	
Squad Leader, Sergeant	M16A1 Rifle
Assistant Squad Leader, Corporal	M16A1 Rifle
Grenadier	M79 Grenade Launcher, M1911A1 Pistol
Senior Rifleman, Corporal (x2)	M16A1 Rifle
Rifleman, Private (x5)	M16A1 Rifle

Weapons Squad (x3)	
Squad Leader, Sergeant	M16A1 Rifle
Assistant Squad Leader, Corporal	M60 MG, M1911A1 Pistol
Machine Gunner, Corporal	M60 MG, M1911A1 Pistol
Assistant Gunner, Private (x2)	M16A1 Rifle

MACV-SOG Combat Ranger Platoon (~1971)

Source: Reske, Charles F. MAC-V-SOG 1971-72 Command History Annex B: The Last Secret of the Vietnam War, Volume II. Sharon Center, OH: Alpha Publications, 1990.

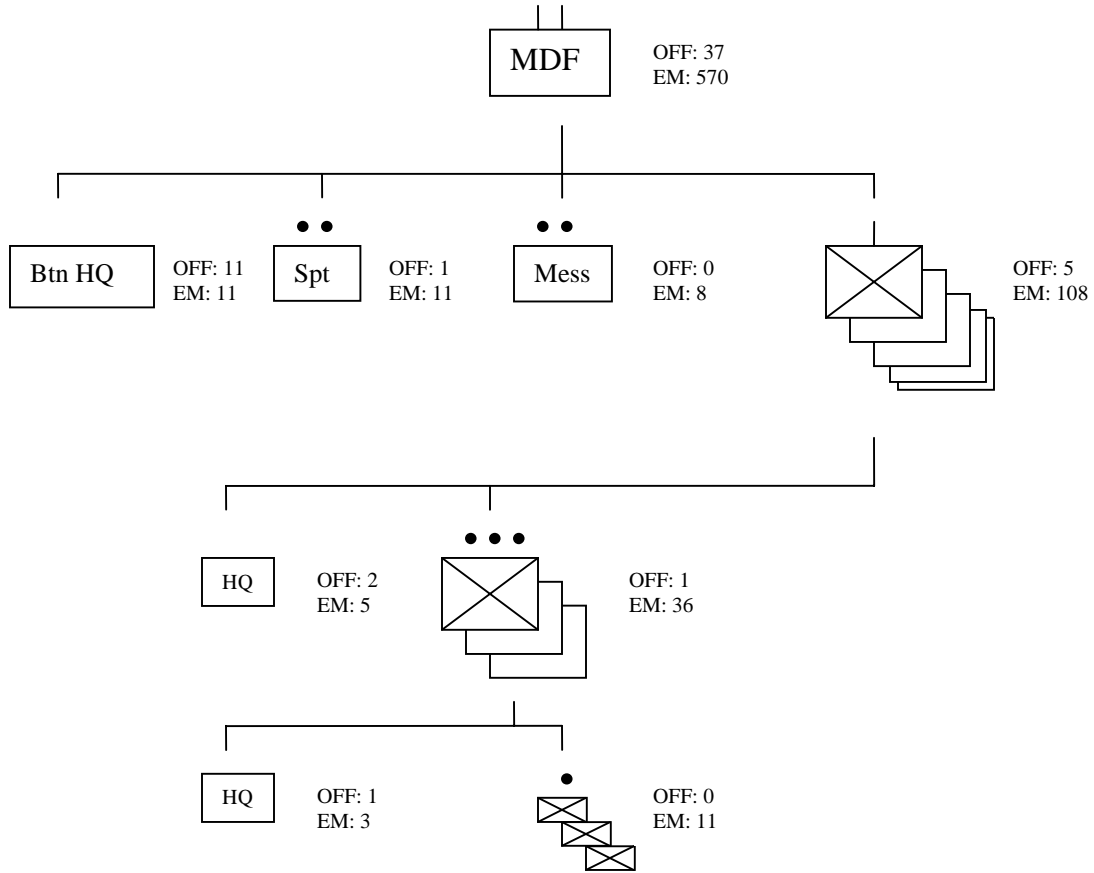


#	Weapons	#	Equipment
	Platoon HQ		
	Recon Team (x3)		

NOTES: The Combat Ranger Platoon (CRP) was devised in 1971 by the Joint Recovery Task Force (JRTF) in order to provide a mobile independent unit to investigate targets identified by JRTF. Not to be confused with other platoon sized exploitation forces, the CRP was outlined as a command element plus 3 Studies and Observation Group (SOG) reconnaissance teams. These teams were widely variable, being comprised of 2-3 US personnel and a so-called Special Commando Unit (SCU) of anywhere from 6-12 indigenous personnel. Weapons and other equipment were also widely variable.

Provisional Defense Battalion, MACV Defense Force (1 April 1969)

Source: United States Government. Military Assistance Command, Vietnam. Military Operations, MACV Local Security/Defense Force. Military Assistance Command, Vietnam, 1969.



#	Weapons	#	Equipment
505	M16A1 Rifle <i>or</i> M14 Rifle	27	AN/PRC-25 Radio
127	M1911A1 Pistol	9	AN/VRC-47 Radio
45	M79 Grenade Launcher	3	AN/VRC-46 Radio
45	M60 MG w/ Tripod	632	M17 gas mask

#	Vehicles	#	Aircraft
9	Truck, ¼ Ton		
1	Truck 2 ½ Ton		

Battalion HQ	4 Truck, ¼ Ton; Truck 2 ½ Ton
Commander, Lt Colonel	M1911A1 Pistol, M17 gas mask
Executive Officer, Lt Colonel or Major	M1911A1 Pistol, M17 gas mask
Adjunct, Major or Captain	M1911A1 Pistol, M17 gas mask

Operations Officer, Lt Colonel or Major	M1911A1 Pistol, M17 gas mask
Intelligence Officer, Lt Colonel or Major	M1911A1 Pistol, M17 gas mask
Supply Officer, Major	M1911A1 Pistol, M17 gas mask
Assistant Supply Officer, Chief Warrant Officer	M1911A1 Pistol, M17 gas mask
Liaison Officer, Major or Captain (x2)	M1911A1 Pistol, M17 gas mask
Surgeon, Major or Captain	M1911A1 Pistol, M17 gas mask
Communications Officer, Major or Captain	M1911A1 Pistol, M17 gas mask
Sergeant Major, E9	M16A1 or M14 Rifle, M17 gas mask
Operations Sergeant, E8	M16A1 or M14 Rifle, M17 gas mask
Intelligence Sergeant, E8	M16A1 or M14 Rifle, M17 gas mask
Supply Sergeant, E8	M16A1 or M14 Rifle, M17 gas mask
Clerk, Any rank (x2)	M16A1 or M14 Rifle, M17 gas mask
Driver, Any rank (x2)	M16A1 or M14 Rifle, M17 gas mask
RAD Telephone Operator, Any rank (x3)	M16A1 or M14 Rifle, M17 gas mask

Support Section	
Motor Officer, Warrant Officer	M1911A1 Pistol, M17 gas mask
Motor Sergeant, E6	M16A1 or M14 Rifle, M17 gas mask
General Vehicle Repairman, E4	M16A1 or M14 Rifle, M17 gas mask
General Vehicle Repairman, Any rank (x2)	M16A1 or M14 Rifle, M17 gas mask
Dispatcher, Any rank (x3)	M16A1 or M14 Rifle, M17 gas mask
Driver, Light Vehicle, Any rank (x4)	M16A1 or M14 Rifle, M17 gas mask

Mess Section	
Mess Steward, E7	M16A1 or M14 Rifle, M17 gas mask
First Cook, E6 (x2)	M16A1 or M14 Rifle, M17 gas mask
Cook, E4 (x5)	M16A1 or M14 Rifle, M17 gas mask

Rifle Company HQ (x5)	Truck, ¼ Ton w/ AN/VRC-47 Radio
Company Commander, Major	M1911A1 Pistol, M17 gas mask
Executive Officer, Major or Captain	M1911A1 Pistol, M17 gas mask
First Sergeant, E8	M16A1 or M14 Rifle, M17 gas mask
Radio Operator, Any rank (x2)	M16A1 or M14 Rifle, M17 gas mask, AN/PRC-25 Radio
Supply Sergeant, E7	M16A1 or M14 Rifle, M17 gas mask
Clerk Typist, Any rank	M16A1 or M14 Rifle, M17 gas mask

Rifle Platoon HQ (x15)	
Platoon Leader, Captain or Lieutenant	M1911A1 Pistol, M17 gas mask
Platoon Sergeant, E8	M16A1 or M14 Rifle, M17 gas mask
Radio Operator, Any rank	M16A1 or M14 Rifle, M17 gas mask, AN/PRC-25 Radio
Radio Operator, Any rank	M16A1 or M14 Rifle, M17 gas mask

Rifle Squad (x45)	
Squad Leader, E7	M16A1 or M14 Rifle, M17 gas mask
Team Leader, E6 (x2)	M16A1 or M14 Rifle, M17 gas mask
Machine Gunner, Any rank	M60 MG w/ Tripod, M17 gas mask
Assistant Machine Gunner, Any rank	M16A1 or M14 Rifle, M17 gas mask
Grenadier, Any rank	M79 Grenade Launcher, M17 gas mask
Rifleman, Any rank (x5)	M16A1 or M14 Rifle, M17 gas mask

NOTES: US Army Headquarters Area Command (USAHAC) was to provide 1 full rifle company under the proposal in this document, with the same TO&E. This company, Company E, is represented on this chart without any specific denotation.